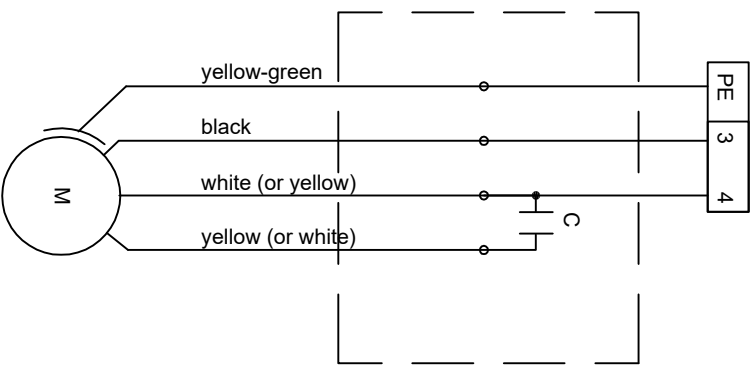
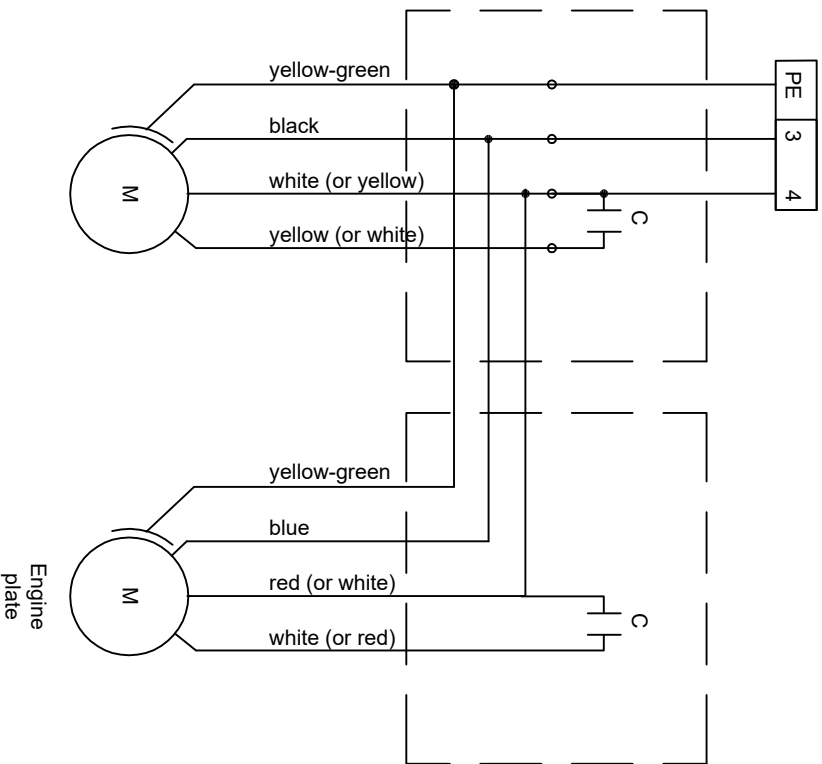


# APPENDIX TO THE MANUAL

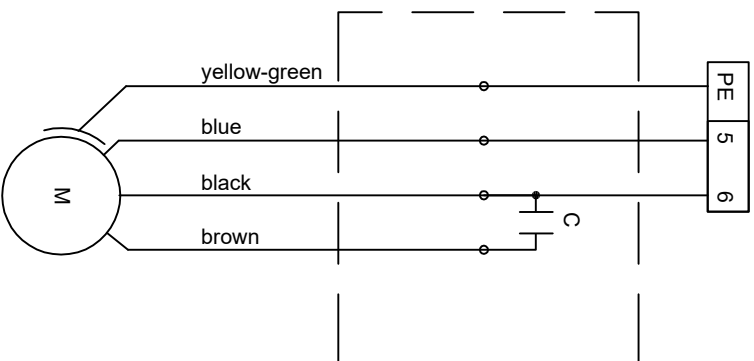
**A**



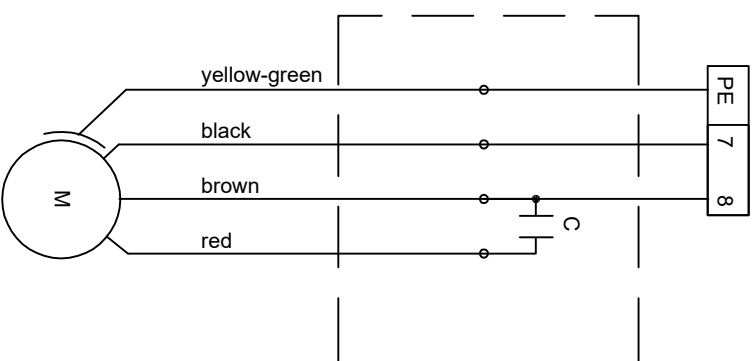
**A**



**A**



**A**



**FEEDER  
(BOILER 22kW)**

**FEEDER  
(BOILER 40kW)**

**BLOWER FAN**

**EXTRACTION FAN**